

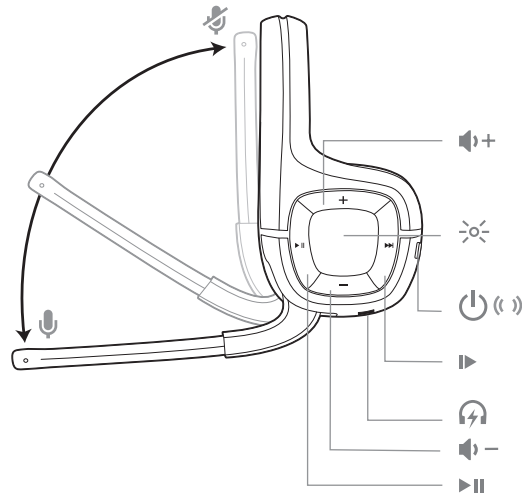
# Gamecom 818/P80

User Guide


# Contents

Headset overview	<b>3</b>
Be safe	<b>3</b>
Charge, connect, configure	<b>4</b>
Charge	<b>4</b>
Connect	<b>4</b>
Configure	<b>4</b>
The basics	<b>6</b>
Adjust the volume	<b>6</b>
Pair	<b>6</b>
Play/pause music*	<b>6</b>
Mute	<b>6</b>
Range	<b>6</b>
LEDs and tones	<b>7</b>
Support	<b>8</b>


# Headset overview




---

 Mute: Lift the boom to full stop  
Unmute: Lower the boom


---

 Increase volume


---

 Headset LEDs

---

 Power on/off  
Pair button


---

 Track forward

---

 Headset charge port

---

 Decrease volume

---

 Play/pause button

---

Be safe

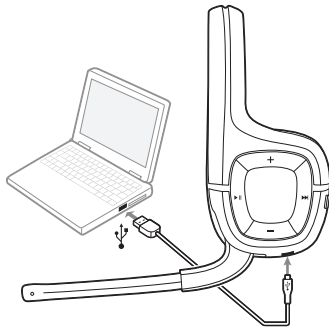
Please read the safety guide for important safety, charging, battery and regulatory information before using your new headset.

# Charge, connect, configure

## Charge

Charge your headset first. It takes 2-4 hours to fully charge. When charging, the headset LEDs are solid red and turn off once your headset is charged.

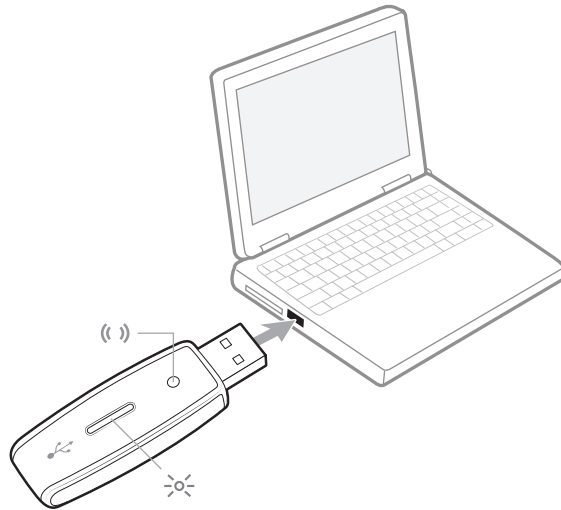
**NOTE** When your headset battery is low, you will hear 3 tones as a reminder to charge your headset.



## Connect

Your headset and adapter are factory pre-paired and automatically connect with each other.

Plug the wireless adapter into a USB port on your system. The wireless adapter flashes blue then turns solid blue to indicate the headset is connected to your system.



## Configure

Your headset works with any USB-compliant computer. The headset is automatically set as the active audio device once the wireless USB Adapter is plugged in.

### PS4

- 1 Go to **Settings > Audio Devices** and select:
- 2 **Input Device > Plantronics Gamecom 818**
- 3 **Output Device > Plantronics Gamecom 818**
- 4 **Output to Headphones > All Audio**
- 5 **Volume Control > Adjust to maximum**
- 6 **Adjust Microphone Level > Adjust as necessary**

### Windows7, Windows8

- 1 Go to **Start > Control Panel > Sound**. (To view Sound, you may need to first select Small icons or Large icons from the dropdown menu.)

- 2 On the Playback tab, select the "Plantronics GameCom 818" as the Sound Playback device.
- 3 Select Properties, and on the Levels tab, adjust the Volume Slider as necessary. Do not select the mute option. Select OK.
- 4 On the Recording tab, select the "Plantronics GameCom 818" headset as the Sound Recording device.
- 5 Select Properties, and on the Levels tab, adjust the Volume Slider as necessary. Do not select the mute option. Select OK.
- 6 Select OK.

#### **Mac OS X**

- 1 Go to **System Preferences > Sound**
- 2 On the Output tab, select the "Plantronics GameCom 818" headset as the Sound Output device.
- 3 Adjust the Output Volume Slider as necessary. Do not select the mute option.
- 4 On the Input tab, select the "Plantronics GameCom 818" headset as the Sound Input device.
- 5 Adjust the Input Volume Slider as necessary.
- 6 Select OK.



# The basics

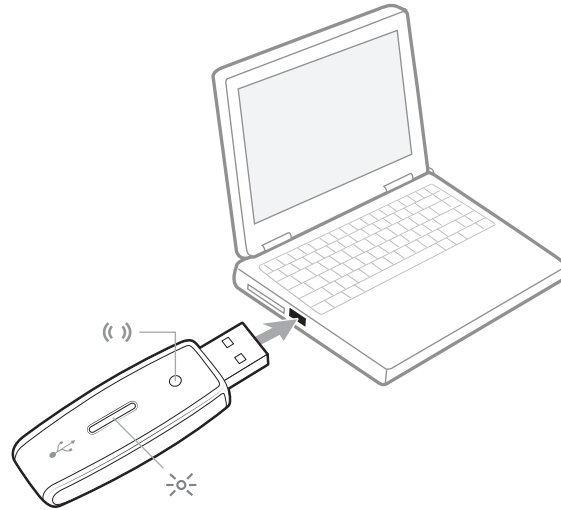
Adjust the volume

Tap the Volume up (+) or Volume down (–) button.

**NOTE** For minimum volume, press and hold the (–) button.

Pair

Press and hold the headset Power  button and the adapter Pair  button for 4 seconds. The headset and adapter LEDs flash blue and turn solid blue when successfully paired.



Play/pause music\*

1 Press  to play or pause music.

2 Press  to skip forward to the next track.

**NOTE** \*May not work with all applications.

Mute

During a call, lift the boom to a full stop to mute the microphone.

**CAUTION** Do not force the boom past its upper or lower limits.

Range

The headset has a wireless range of up to 40 feet. However, wireless performance may be affected by nearby objects including walls, metal items, and other wireless devices. When you move the headset to the edge of its wireless range, audio may become distorted and will eventually cut out (the wireless adapter flashes blue when out of range). Move closer to the wireless adapter to restore clear audio.

**NOTE** If your headset and adapter are separated and lose their connection after being successfully paired, they automatically reconnect when they come back into range of each other. If they remain out of range for more than 30 seconds, the headset goes into sleep mode, but reconnects automatically with the adapter once it is back in range. If the headset is out of range for more than 15 minutes, it automatically shuts off.

## LEDs and tones

The following tables describe the headset LEDs and tones.

Action/Status	LED	Tone
Power on	Steady blue glow	3 high tones
Power off	Steady red glow, then off	3 low tones
Power low		3 high tones - played at 10 minute intervals
Out of range	Flashing blue	
Charging, headset powered on	Connected: Solid purple until charging complete Unconnected: Red/purple flash until charging complete	
Charging, headset powered off	Solid red until charging complete	
Pairing	Headset and adapter rapidly flash blue when in pairing mode	
Connected to adapter	Solid blue glow	
Standby/Battery Save/Out of Range	Pulsing blue glow	
Boom mute on		Low tone-high tone
Boom mute off		High tone-low tone
Volume up		High tone
Volume down		Low tone
Volume maximum		2 high tones
Volume minimum		2 low tones

# Support

---

<b>EN</b> Tel: 0800 410014	<b>FI</b> Tel: 0800 117095	<b>NO</b> Tel: 80011336
<b>AR</b> Tel: +44 (0)1793 842443*	<b>FR</b> Tel: 0800 945770	<b>PL</b> Tel: +44 (0)1793 842443*
<b>CS</b> Tel: +44 (0)1793 842443*	<b>GA</b> Tel: 1800 551 896	<b>PT</b> Tel: 0800 84 45 17
<b>DA</b> Tel: 80 88 46 10	<b>HE</b> Tel: +44 (0)1793 842443*	<b>RO</b> Tel: +44 (0)1793 842443*
<b>DE</b> Deutschland 0800 9323 400 Österreich 0800 242 500 Schweiz 0800 932 340	<b>HU</b> Tel: +44 (0)1793 842443*	<b>RU</b> Tel: 8-800-100-64-14 Tel: +44 (0)1793 842443*
<b>EL</b> Tel: +44 (0)1793 842443*	<b>IT</b> Tel: 800 950934	<b>SV</b> Tel: 0200 21 46 81
<b>ES</b> Tel: 900 803 666	<b>NL</b> NL 0800 7526876 BE 0800 39202 LUX 800 24870	<b>TR</b> Tel: +44 (0)1793 842443*

---

*\*Support in English*

For warranty details, go to [plantronics.com/warranty](http://plantronics.com/warranty).

## NEED MORE HELP?

[plantronics.com/support](http://plantronics.com/support)

**plantronics®**  
Simply Smarter Communications™

**Plantronics, Inc.**  
345 Encinal Street  
Santa Cruz, CA 95060  
United States

**Plantronics BV**  
South Point Building C  
Scorpius 140  
2132 LR Hoofddorp, Netherlands

© 2015 Plantronics, Inc. All Rights Reserved. Bluetooth is a registered trademark of Bluetooth SIG, Inc. and any use by Plantronics is under license. All other trademarks are the property of their respective owners.

Patents pending  
204617-06 (04.15)